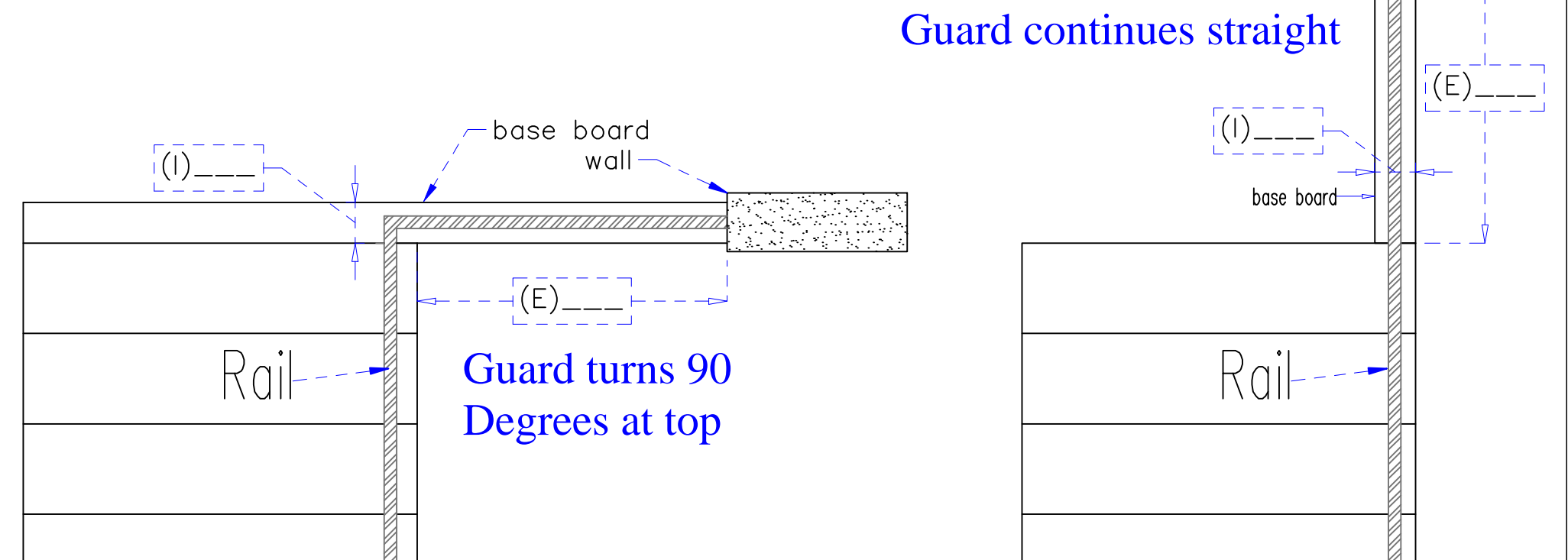


Side View

Top View



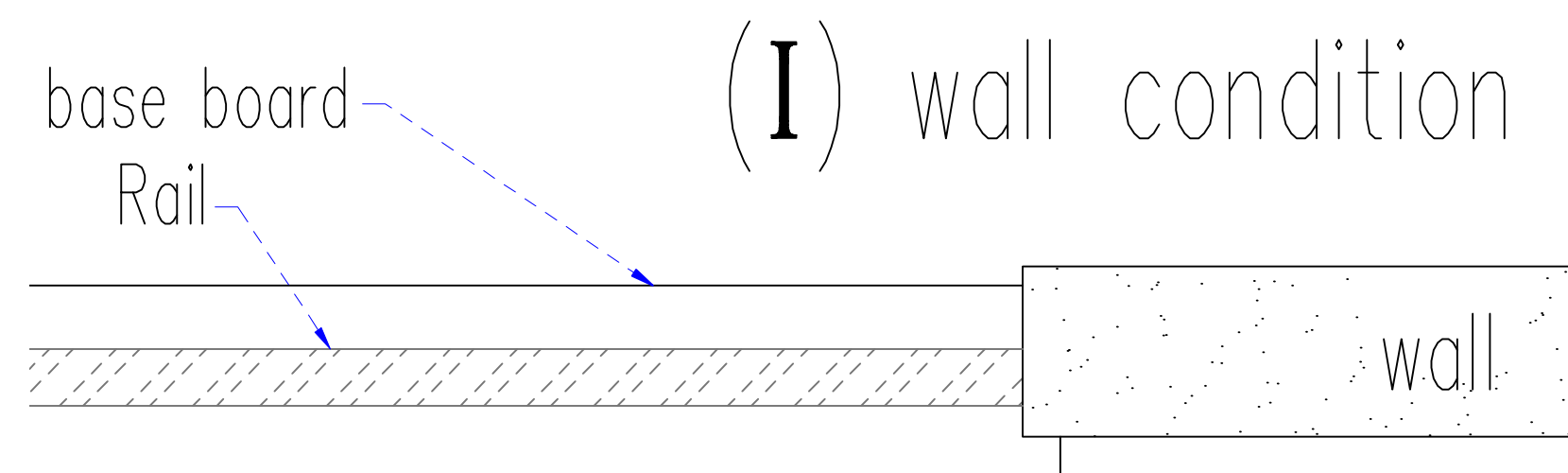
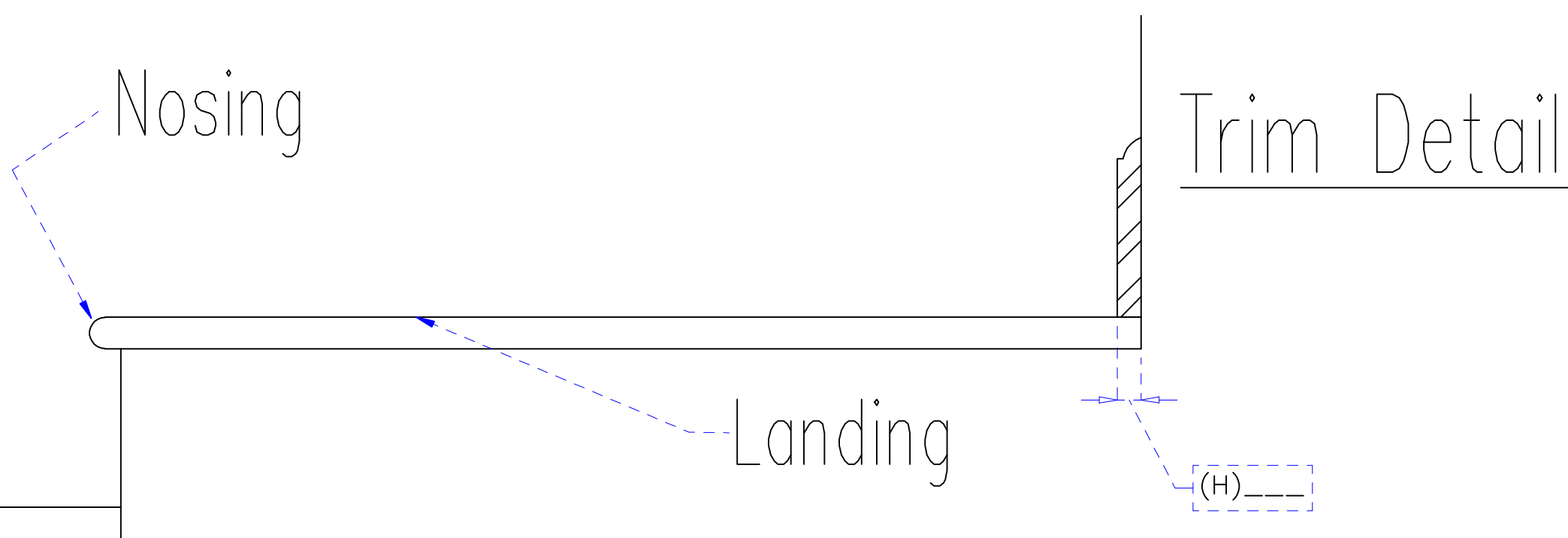
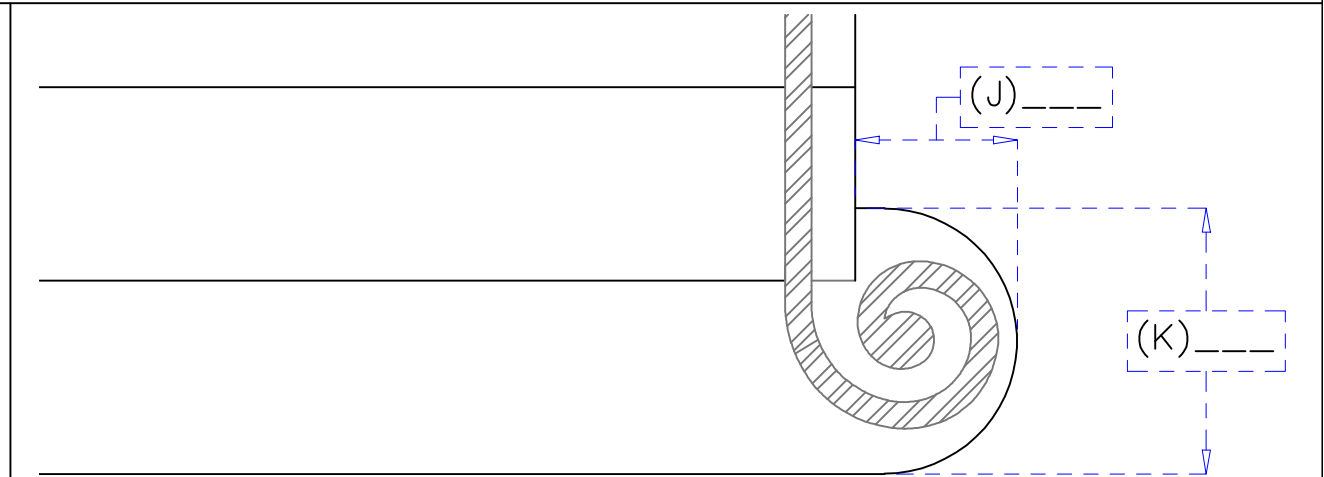
Volute



Lambs Tongue



Lateral



Step Railing  
Stair  
Measurements

Firm Name and Address  
**Southeastern**  
 Ornamental Iron Co. Inc.  
 Ph: 904-292-0933  
 Fx: 904-292-0588  
 www.SEOIC.com

- Please fill in all applicable measurements:
- A. Run Meas./nose to nose \_\_\_\_\_.
  - B. Rise Meas./landing to floor \_\_\_\_\_.
  - A1. Diagonal/nose to nose \_\_\_\_\_.
  - B1. Degree of Stair \_\_\_\_\_.
  - C. Riser Heights \_\_\_\_\_.
  - D. Tread Widths/nose to nose \_\_\_\_\_.
  - E. Guard Meas. (see options) \_\_\_\_\_.
  - F. Bottom Riser to Floor \_\_\_\_\_.
  - G. Top Riser to Landing \_\_\_\_\_.
  - H. Trim Thickness if any \_\_\_\_\_.
  - I. Wall Conditions (Provide base board to wall relationship) \_\_\_\_\_.
  - J. Bull Nose Tread (Distance out) \_\_\_\_\_.
  - K. Bul Nose Tread (width of tread) \_\_\_\_\_.
- \* If your stair has a different shape (Provide a rough sketch)  
 \* Only A & B or A1 & B1 measurements are necessary.